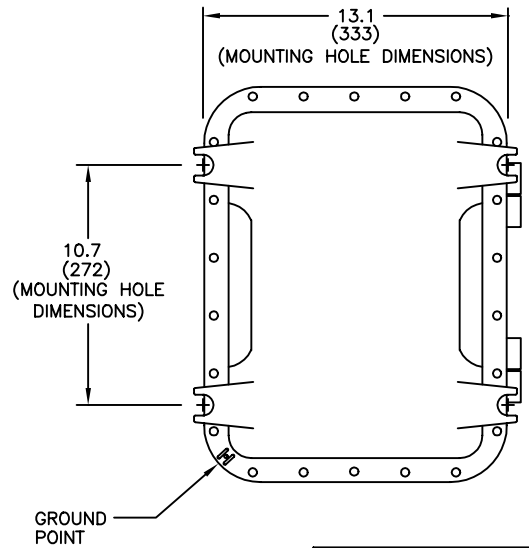
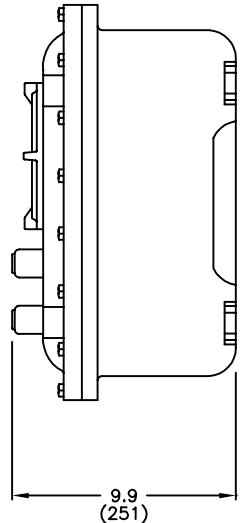
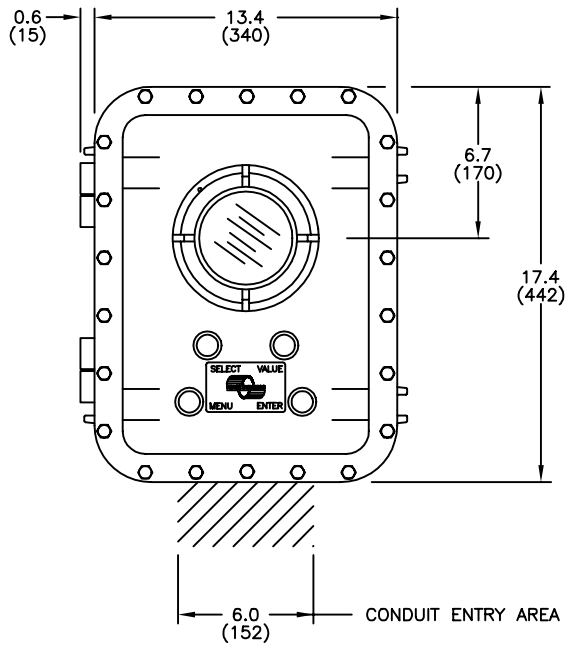



- NOTES:
1. MOUNT ENCLOSURE WITH .375 DIA (10mm) BOLTS.
  2. WEIGHT: 59 LBS. (27kg)
  3. THREE HOLES LOCATED IN CONDUIT ENTRY AREA ARE DRILLED AND TAPPED 3/4-14 NPT.
  4. OBJECTS CLOSER THAN 3.3 INCHES MAY PREVENT COVER OPENING FULL 90°.
  5. ALL DIMENSIONS ARE GIVEN IN INCHES. MILLIMETER DIMENSIONS SHOWN IN ( )



 <b>PHASE DYNAMICS, INC</b> RICHARDSON, TEXAS		
<b>TITLE</b> INSTALLATION - CENELEC EXPLOSION PROOF ENCLOSURE		
<b>SIZE</b> C	<b>DRW NO.</b> 0070-00175-001	<b>DATE</b> 09/29/04
<b>REV</b> © PHASE DYNAMICS, INC.		