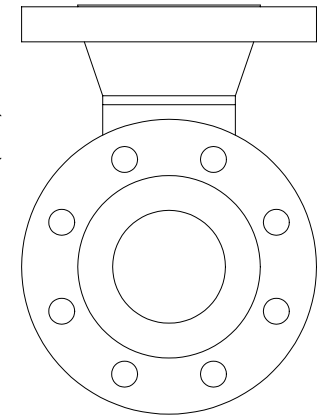
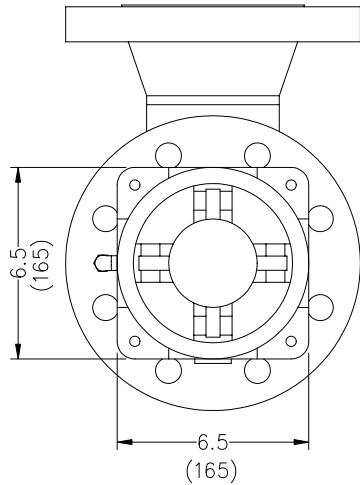
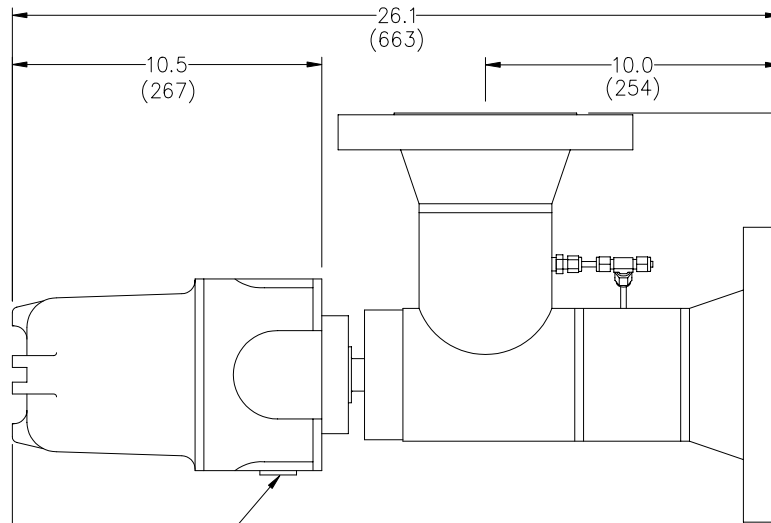
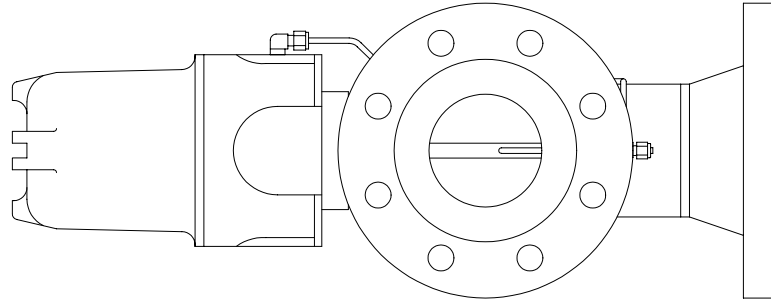



REV	DATE	ECO	COMMENTS
A	06/04/03	169	ADD METRIC UNITS



18 (457)
RECOMMENDED MINIMUM
CLEARANCE FOR ACCESS

0.75-14 NPT
REDUCING BUSHING (SUPPLIED)

- NOTES:
 1 WEIGHT: 87 LBS (40kg)
 2 ALL DIMENSIONS GIVEN IN INCHES
 MILLIMETER DIMENSIONS SHOWN IN ()

 PHASE DYNAMICS, INC RICHARDSON, TEXAS		
TITLE INSTALLATION 4 INCH L CONFIG CLASS 300 RF FLANGE		
SIZE C	DWG NO. 0070-00145-000	DATE 02/08/99
REV A	© PHASE DYNAMICS, INC.	