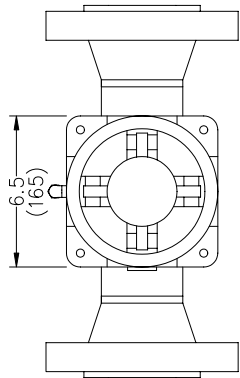
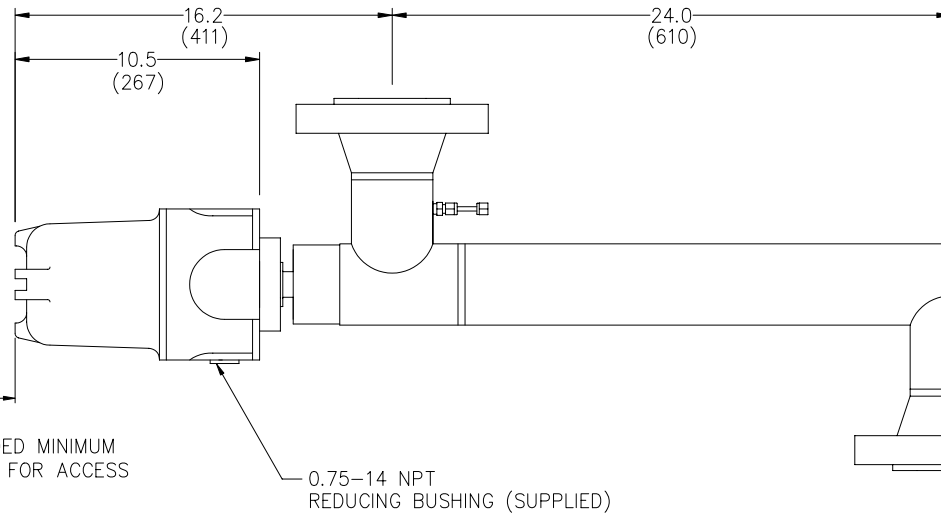
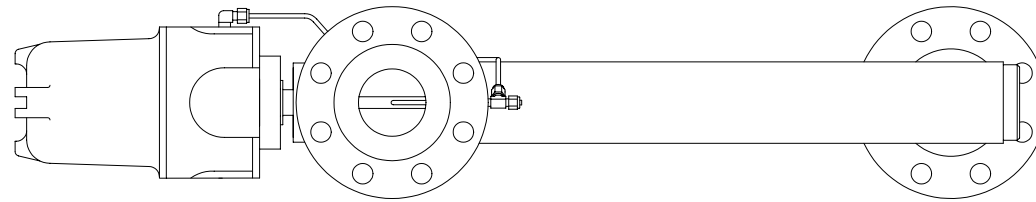
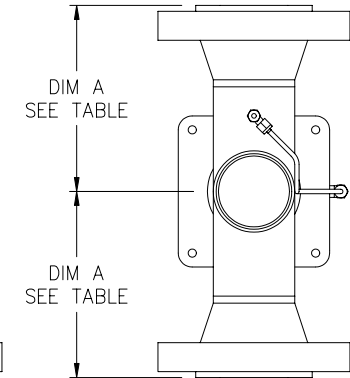


REV	DATE	ECO	COMMENTS
A	06/04/03	169	ADD METRIC UNITS
B	12/04/03	178	REMOVE 1500 FLANGE




18 (457)
RECOMMENDED MINIMUM
CLEARANCE FOR ACCESS



NOTES:
1. ALL DIMENSIONS GIVEN IN INCHES
MILLIMETER DIMENSIONS SHOWN IN ()

FLANGE SIZE	DIMENSION "A"	WEIGHT (LBS) (KG)	
ANSI 150	7.26 (184)	78	35
ANSI 300	7.63 (194)	91	41
ANSI 600	8.01 (203)	91	41
ANSI 900	8.76 (223)	113	51

 PHASE DYNAMICS, INC RICHARDSON, TEXAS		
		TITLE INSTALLATION, 3 INCH Z CONFIG RAISED FACE FLANGES
SIZE B	DWG NO. 0070-00156-000	DATE 07/16/99
REV B	© PHASE DYNAMICS, INC.	