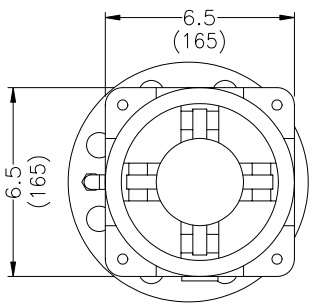
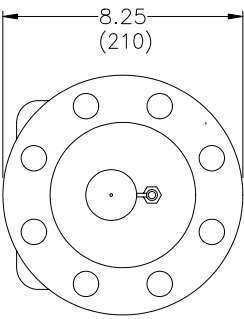
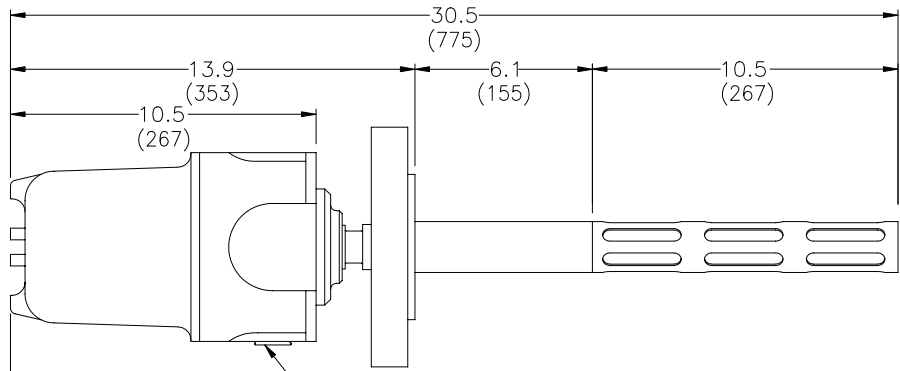
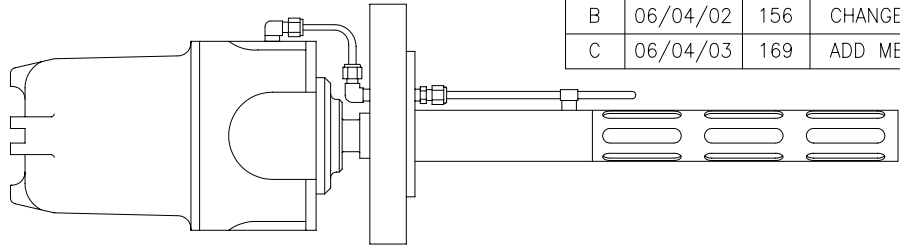


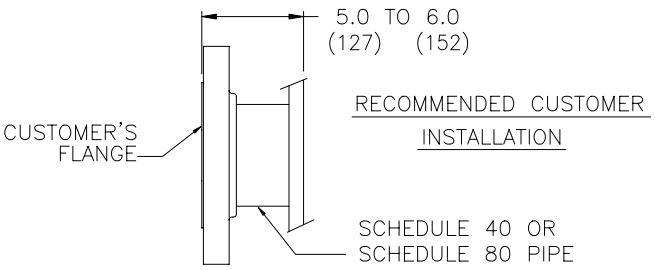
DWG NO. 0070-00124-000 REV C SH 1/1

REV	DATE	ECO	COMMENTS
A	07/16/01	144	CORRECTED FLANGE DIA AND WEIGHT
B	06/04/02	156	CHANGED GROUND CAGE
C	06/04/03	169	ADD METRIC UNITS




18 (457)
RECOMMENDED MINIMUM CLEARANCE FOR ACCESS

0.75-14 NPT REDUCING BUSHING (SUPPLIED)



- NOTES:
- 1 FLANGE IS 3 INCH, 316L STAINLESS RAISED FACE ANSI 600
 - 2 RECOMMEND CUSTOMER INSTALL FLANGE FROM 5.0 TO 6.0 INCHES FROM VESSEL INTERNAL WALL. (NOTE UNIT LENGTH)
 - 3 WEIGHT: 38 LBS (17kg)
 - 4 ALL DIMENSIONS GIVEN IN INCHES MILLIMETER DIMENSIONS SHOWN IN ()

 PHASE DYNAMICS, INC RICHARDSON, TEXAS		
TITLE 3 INCH 600# INSERTION TYPE TEMP PROBE, 10 IN CAGE		
SIZE B	DWG NO. 0070-00124-000	DATE 04/08/98
REV C	© PHASE DYNAMICS, INC.	