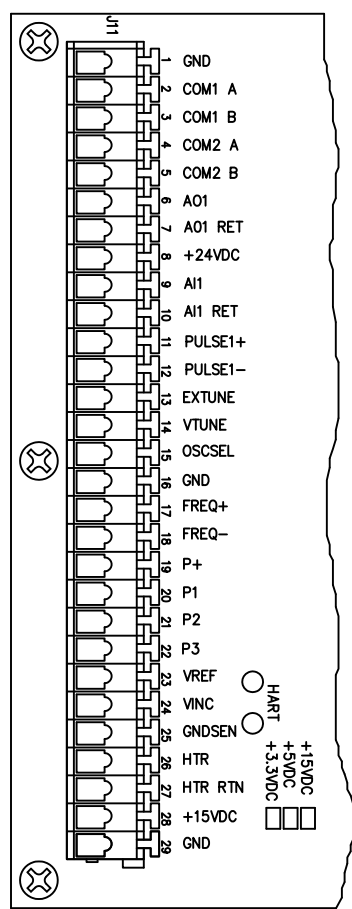
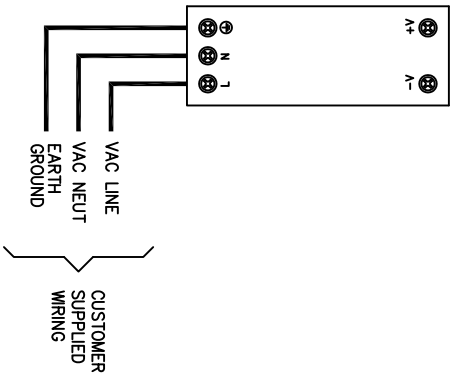
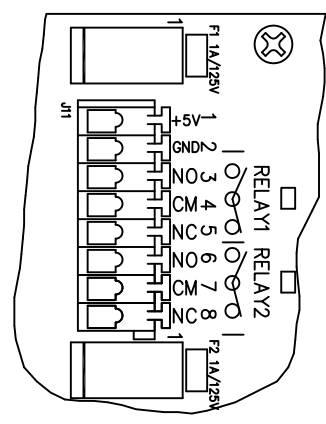
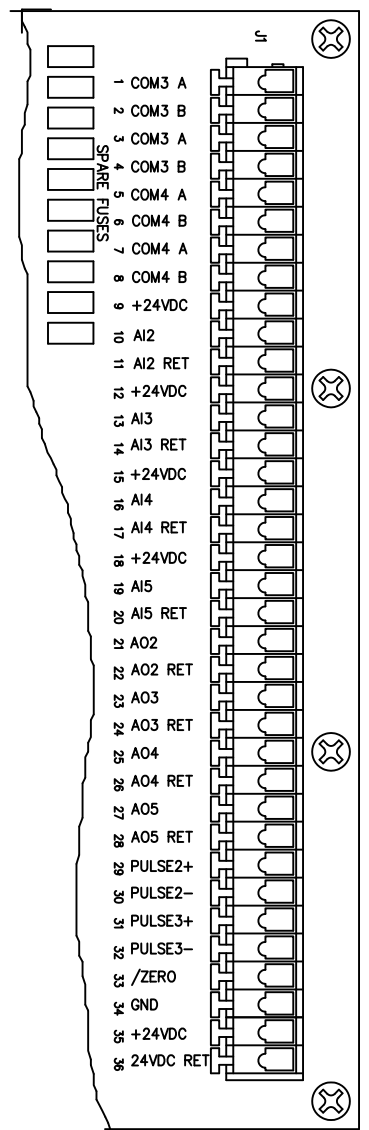
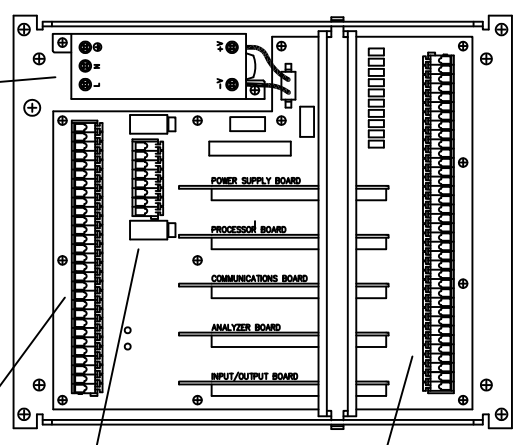


REV	DATE	ECO	COMMENTS
A	02/02/17	324	J12->J11; J11->J3; ADD GND TO J11, 5V TO J3

ELECTRONICS UNIT



**PHASE DYNAMICS, INC**  
RICHARDSON, TEXAS

PHASE DYNAMICS  
WIRING DIAGRAM  
ENHANCED/EXPANDED ELECTRONICS  
100-240VAC

REV: C 0070-00248-000 08/09/05  
REV: A © PHASE DYNAMICS, INC.