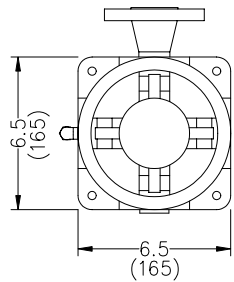
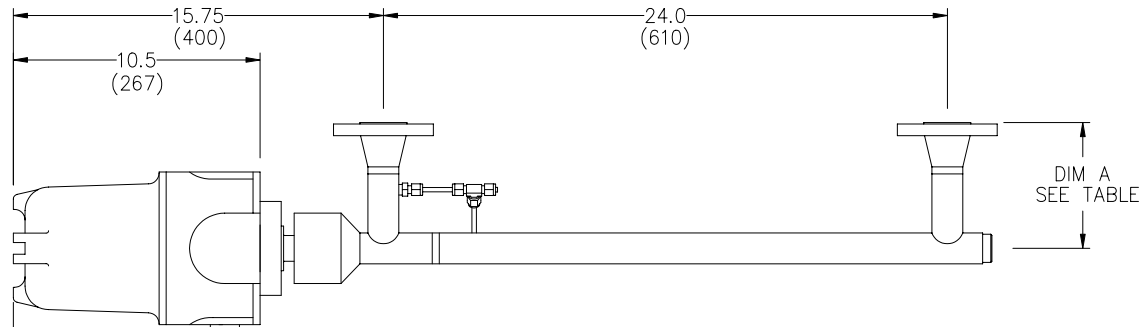
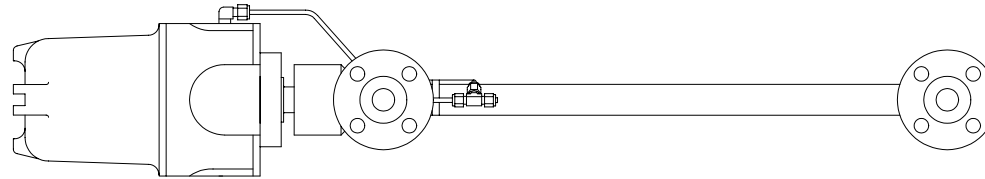


REV	DATE	ECO	COMMENTS
A	06/04/03	169	ADD METRIC UNITS




18 (457)
RECOMMENDED MINIMUM CLEARANCE FOR ACCESS

0.75-14 NPT
REDUCING BUSHING (SUPPLIED)

NOTES:

- 1 ALL DIMENSIONS GIVEN IN INCHES
MILLIMETER DIMENSIONS SHOWN IN ()
- 2 FLANGES ARE 1 INCH RAISED FACE
SCHEDULE 80 BORE, 316L STAINLESS
STEEL
- 3 PIPE IS 1 INCH, SCHEDULE 80,
316L STAINLESS STEEL
- 4 WEIGHT: SEE TABLE

FLANGE SIZE	DIMENSION "A"	WEIGHT (LBS) (KG)
ANSI 150	5.3 (135)	32 15
ANSI 300	5.6 (142)	35 16
ANSI 600	5.9 (150)	35 16
ANSI 900	6.3 (160)	44 20

		PHASE DYNAMICS, INC RICHARDSON, TEXAS	
TITLE			
INSTALLATION, 1 INCH U CONFIG RAISED FACE FLANGES			
SIZE	DWG. NO.	DATE	
B	0070-00169-000	03/02/00	
REV	A		© PHASE DYNAMICS, INC.