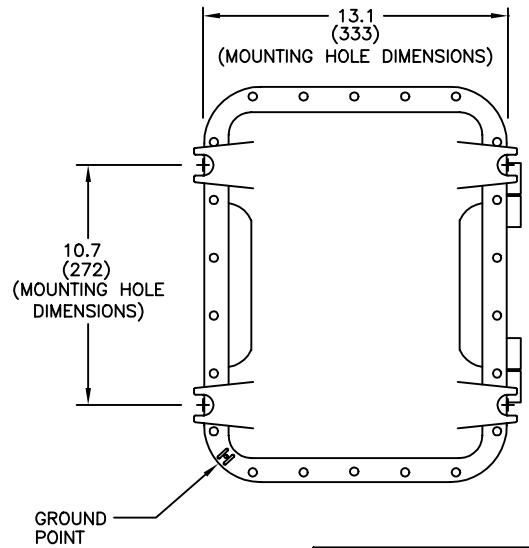
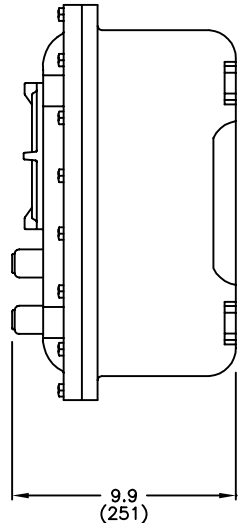
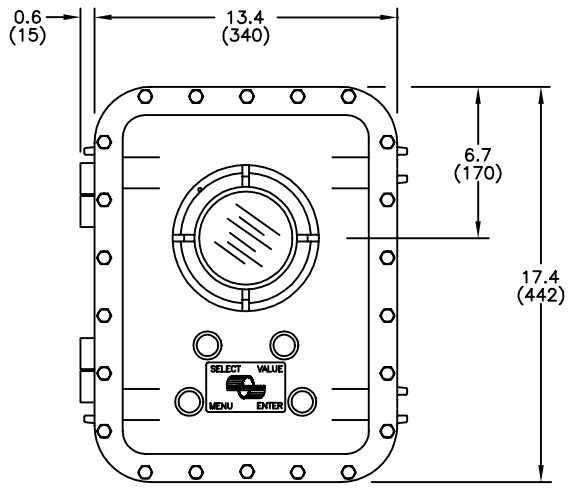


BOTTOM VIEW

NOTES:

1. MOUNT ENCLOSURE WITH .375 DIA (10mm) BOLTS.
2. WEIGHT: 59 LBS. (27kg)
3. OBJECTS CLOSER THAN 3.3 INCHES MAY PREVENT COVER OPENING FULL 90°.
4. ALL DIMENSIONS ARE GIVEN IN INCHES. MILLIMETER DIMENSIONS SHOWN IN ( )



<b>PHASE DYNAMICS, INC</b> RICHARDSON, TEXAS		
<b>TITLE</b> INSTALLATION - ATEX EXPLOSION PROOF ENCLOSURE		
<b>SIZE</b> C	<b>DRG NO.</b> 0070-00241-000	<b>DATE</b> 05/27/05
<b>REV</b> © PHASE DYNAMICS, INC.		