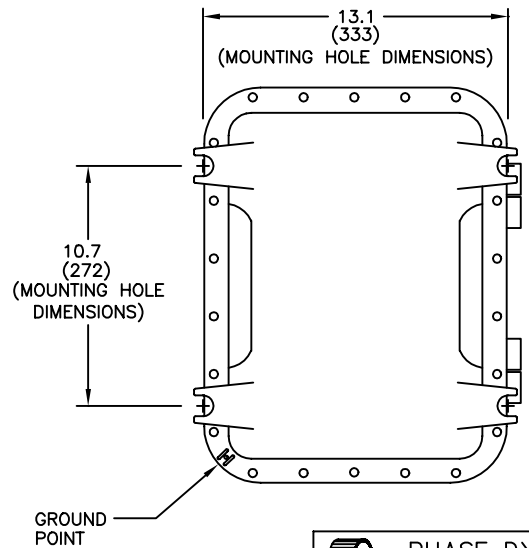
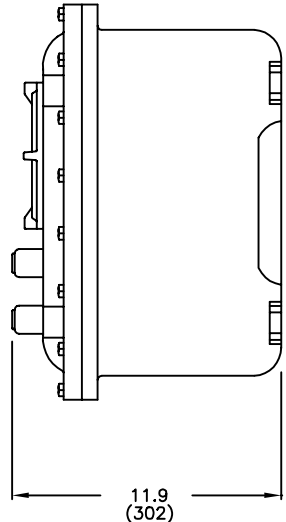
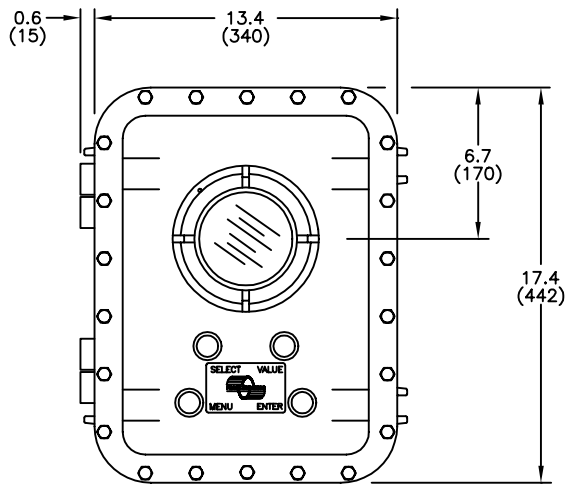



BOTTOM VIEW

- NOTES:
1. MOUNT ENCLOSURE WITH .375 DIA (10mm) BOLTS.
 2. WEIGHT: 67 LBS. (30kg)
 - ⚠ OBJECTS CLOSER THAN 3.3 INCHES MAY PREVENT COVER OPENING FULL 90°.
 4. ALL DIMENSIONS ARE GIVEN IN INCHES. MILLIMETER DIMENSIONS SHOWN IN ()



 PHASE DYNAMICS, INC RICHARDSON, TEXAS		
TITLE INSTALLATION - ATEX EXPLOSION PROOF ENCLOSURE		
SIZE C	DRG NO. 0070-00242-000	DATE 05/27/05
REV © PHASE DYNAMICS, INC.		